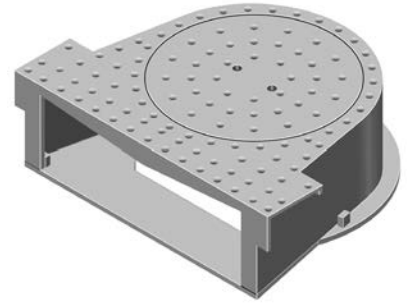
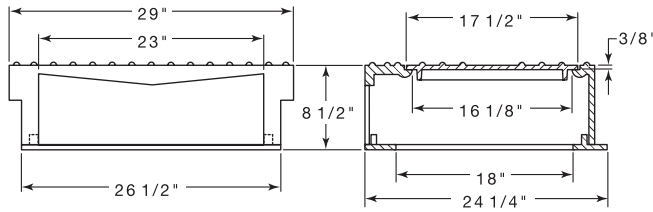


■ Note: When specifying/ordering grates, refer to "Choosing the Proper Inlet Grate" on pages 125-126.
 For a complete listing of FREE OPEN AREAS and WEIR PERIMETERS of all NEENAH grates, refer to pages 327-332.

R-3324
Inlet with Flat Pan Outlet

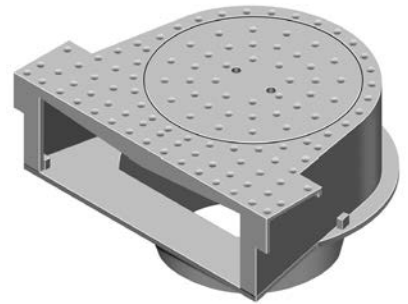
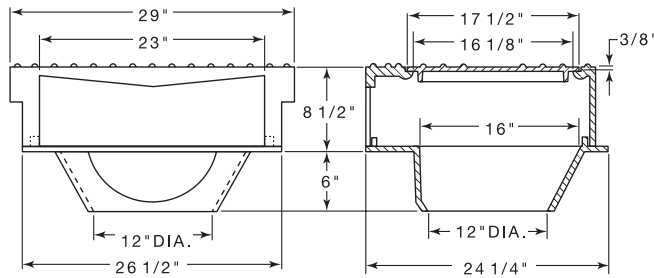
Heavy Duty



Not recommended for use in areas where large gutter trash objects are prevalent.
 Curb opening, without gutter grate, allows large trash to enter catch basin and clog lines.

R-3324-P
Inlet with Deep Pan Outlet

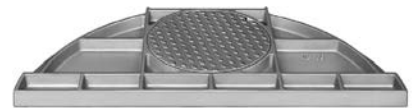
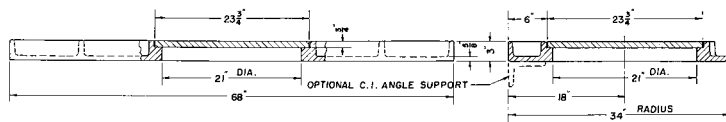
Heavy Duty



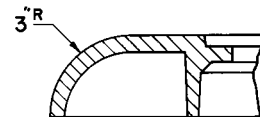
Not recommended for use in areas where large gutter trash objects are prevalent.
 Curb opening, without gutter grate, allows large trash to enter catch basin and clog lines.

R-3326
Large Catch Basin Frame, Lid

Heavy Duty



Available with 3" radius curb front, order **R-3326-A**.
 Specify cast iron angle support if required.
 Not recommended for use in areas where large gutter trash objects are prevalent.
 Curb opening, without gutter grate, allows large trash to enter catch basin and clog lines.



Supplied By:



877-903-7246

www.trenchdrainsupply.com

CLICK HERE to return to the Table of Contents

